

## Step 1

For ease of maintaining a furnace, position unit to provide access to Burner, Blower, Drain Valve, Primary Strainer/Filter and Fuel Pump.

## Step 2

Install fuel tank, preferably against an exterior wall. Vent tank through exterior wall using 2 in./5 cm metal pipe with turn down. Install Emergency Vent Cap (optional accessory) into 4 in./10 cm tank port. Refer to your local codes for requirements.

## Step 3

Mount Cabinet on top of support arms, then Burner and Blower to the Cabinet.

## Step 4

Provide a dedicated 110V-120V/25A (verify voltage is 110V-120V) electrical service to furnace. Make all other electrical connections provided with furnace harnesses.

## Step 5

Route 3/8 in./0.95 cm Fuel Tubing from Fuel Pump to Preheater (mounted to Burner).

## Step 6

Flue must be Class A—2100°F/1149°C All-Fuel Pipe starting 18 in./45.7 cm from point of penetration through roof or any combustible material. Refer to your local codes for requirements.

## Step 7

EnergyLogic recommends running flue vertically through roof. Elbows are permissible but should not exceed 45 degrees.

## Step 8

EnergyLogic recommends an exterior flue height 4 ft./1.2 m higher than roof structure or any structure within 20 ft./20 m of flue. Refer to your local codes and NFPA guidelines for requirements.

## Step 9

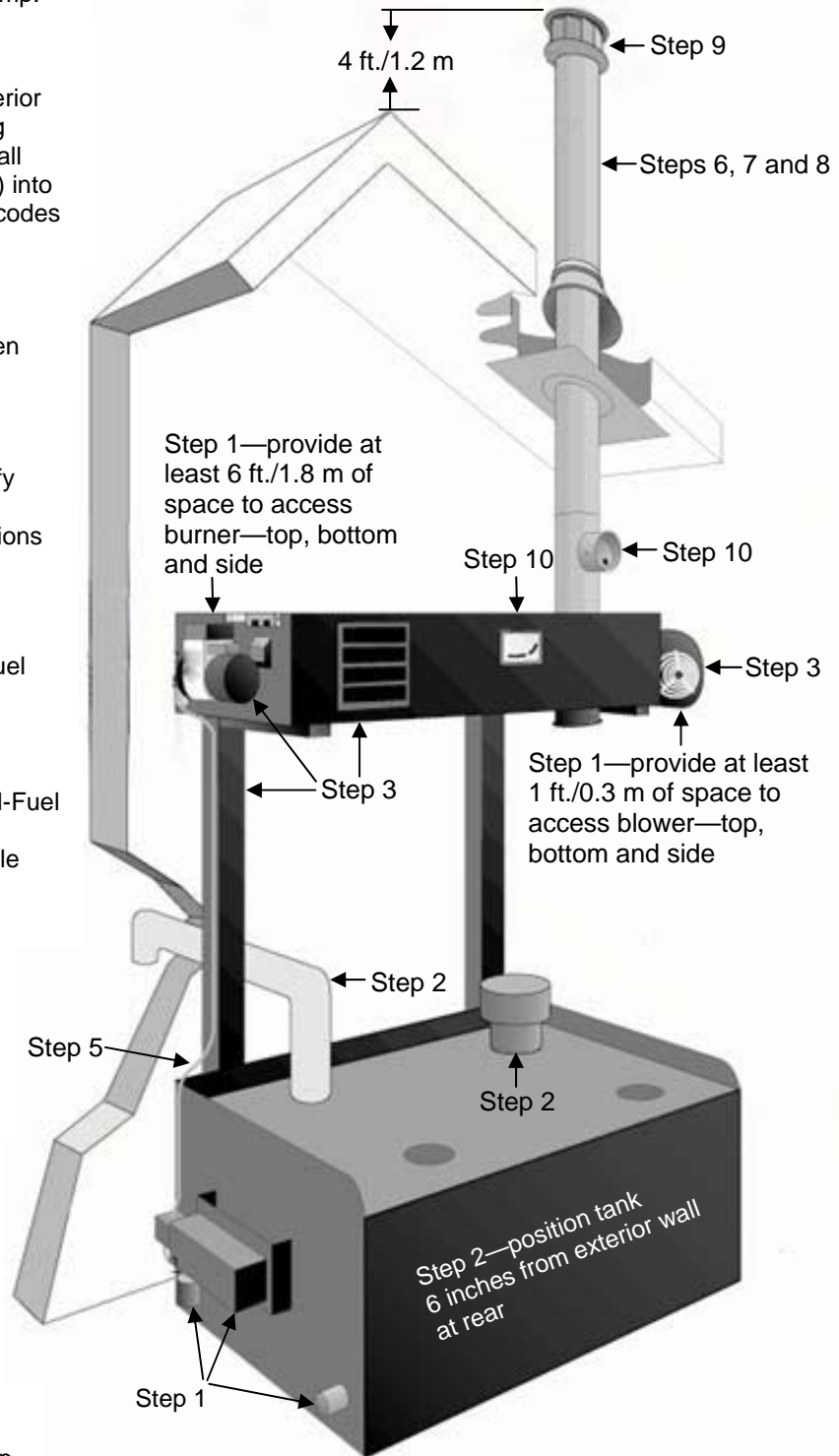
Flue must be topped with a Rain/Wind Cap.

## Step 10

During furnace operation, adjust Barometric Damper to achieve a 0.05 inch draft shown by Draft Gauge.

## Still have questions ?

Visit: [www.nueraheat.com](http://www.nueraheat.com) or give us a call at 1-800-347-9597



# NuEra

14409 NE 79th St, Vancouver, WA 98682

[www.nueraheat.com](http://www.nueraheat.com)  
1-(800) 347-9575