

# MODEL EL-200H (SHOWN WITH 250 GALLON SW TANK)



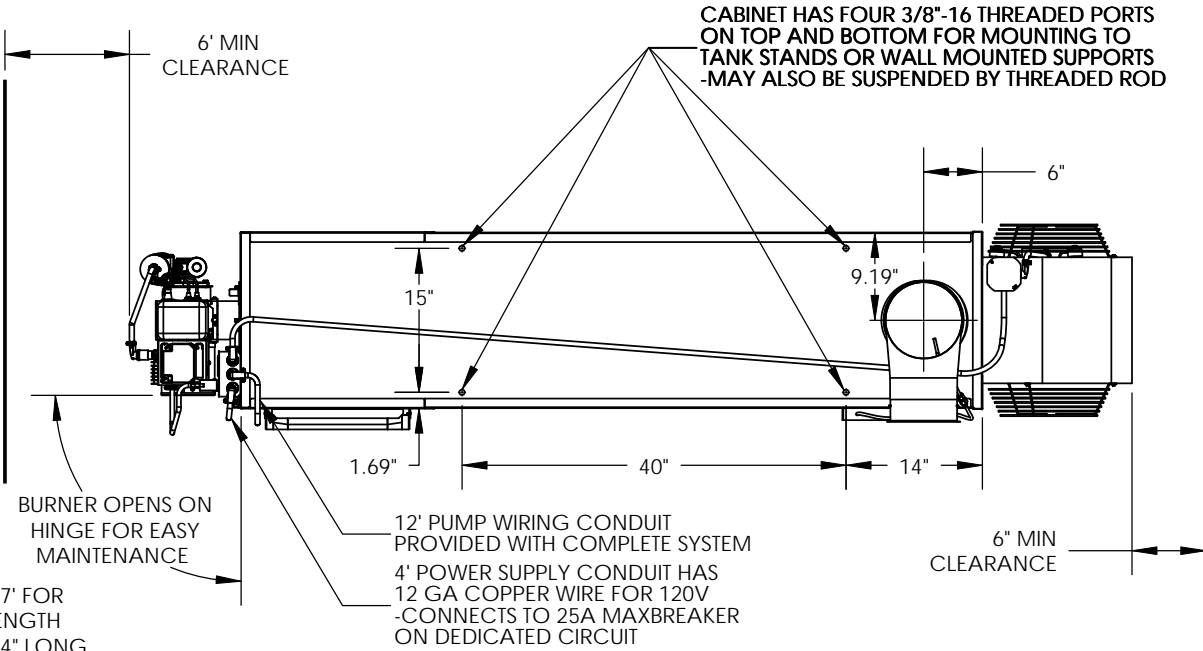
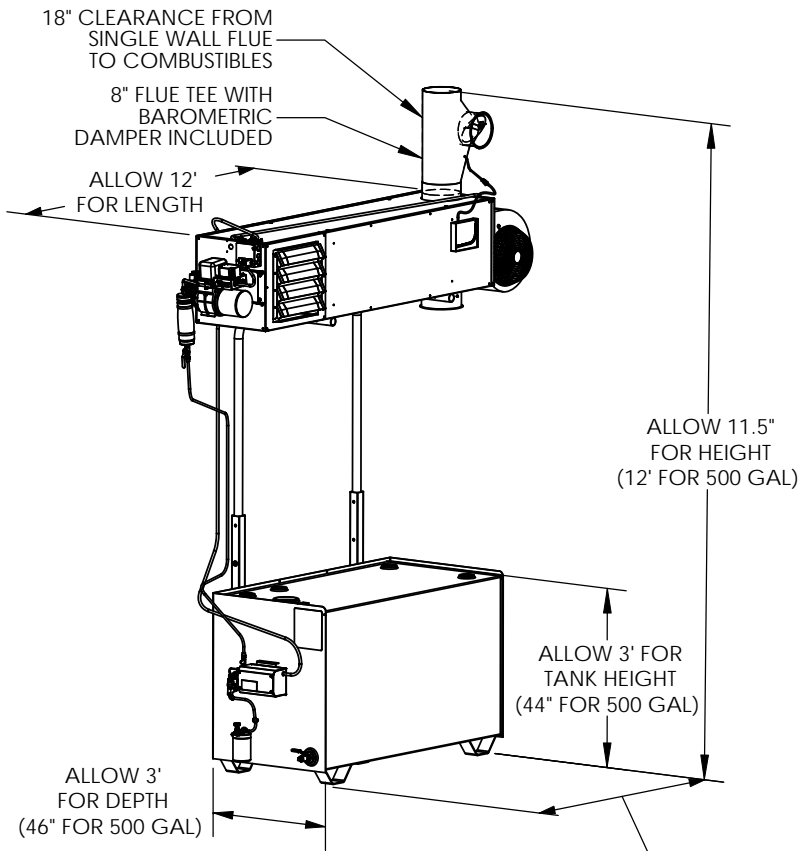
**NuEra**

14409 NE 79th St, Vancouver, WA 98682

www.nueraheat.com

1-(800) 347-9575

- CABINET WEIGHT WITH BURNER AND BLOWER: APPR 315 LBS
- TANK WEIGHT EMPTY: APPR 425 LBS (600 LBS FOR 500 Gallon SW)
- FLUE DIAMETER: 8"
- FREE AIR DELIVERY: 1500 CFM
- HEATING AREA: APPR 5000 SQ FT WITH 16' CEILINGS



ALLOW 7' FOR TANK LENGTH (TANK IS 5'4" LONG INCLUDING PUMP BRACKETS) (8' FOR 500 GAL)

