



NuEra

14409 NE 79th St, Vancouver, WA 98682

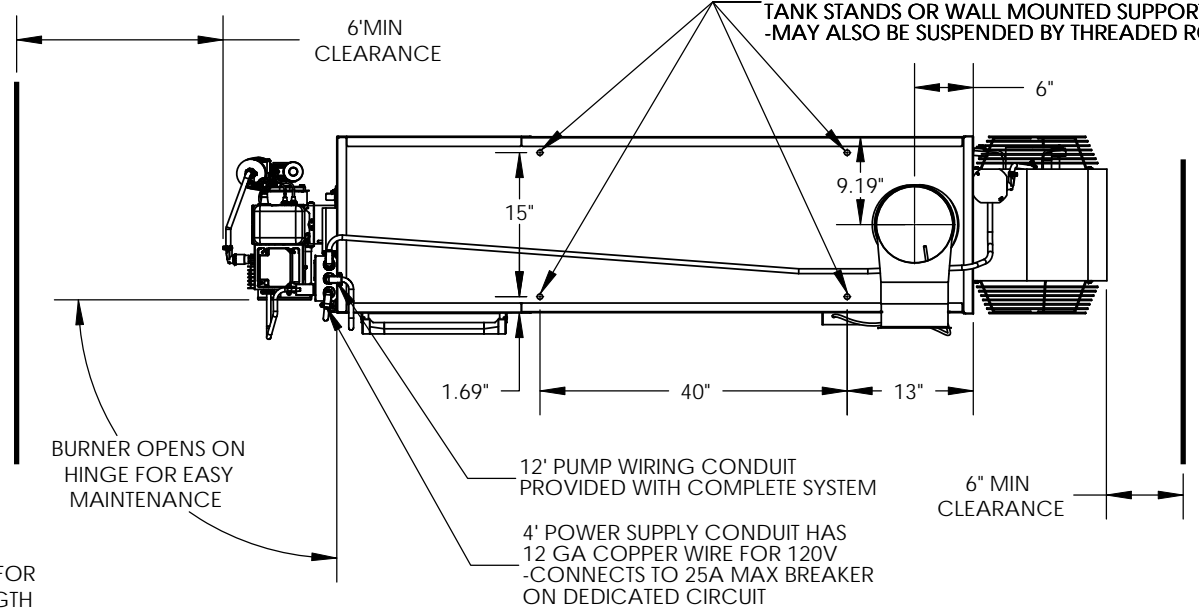
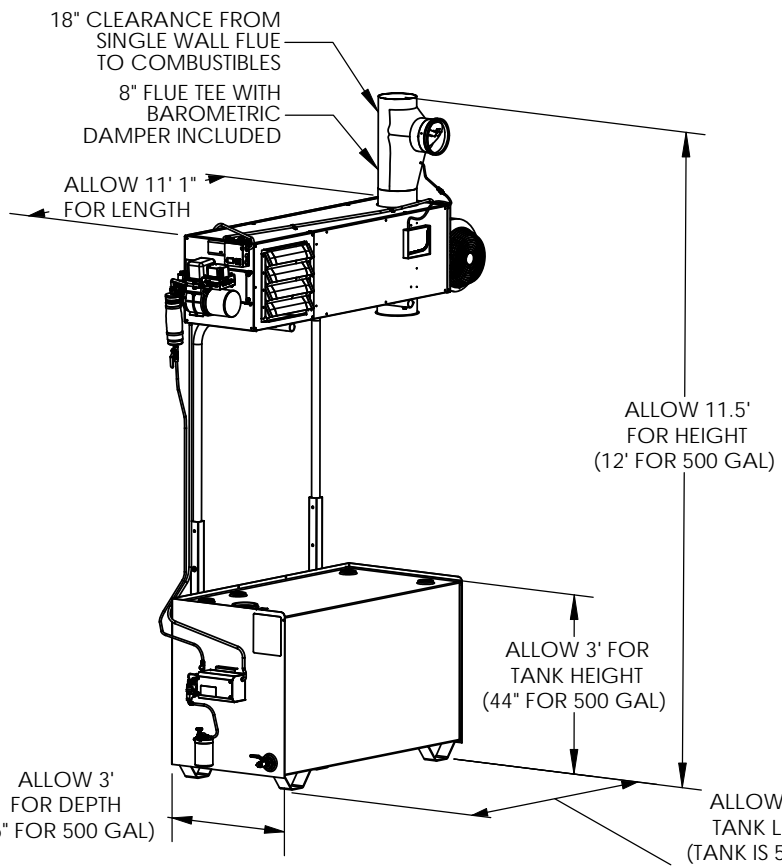
www.nueraheat.com

1-(800) 347-9575

MODEL EL-140H (SHOWN WITH 250 GALLON SW TANK)

- CABINET WEIGHT WITH BURNER AND BLOWER: APPR 295 LBS
- TANK WEIGHT EMPTY: APPR 425 LBS (600 LBS FOR 500 Gallon SW)
- FLUE DIAMETER: 8"
- FREE AIR DELIVERY: 1000 CFM
- HEATING AREA: APPR 3500 SQ FT WITH 16' CEILINGS

CABINET HAS FOUR 3/8"-16 THREADED PORTS ON TOP AND BOTTOM FOR MOUNTING TO TANK STANDS OR WALL MOUNTED SUPPORTS -MAY ALSO BE SUSPENDED BY THREADED ROD

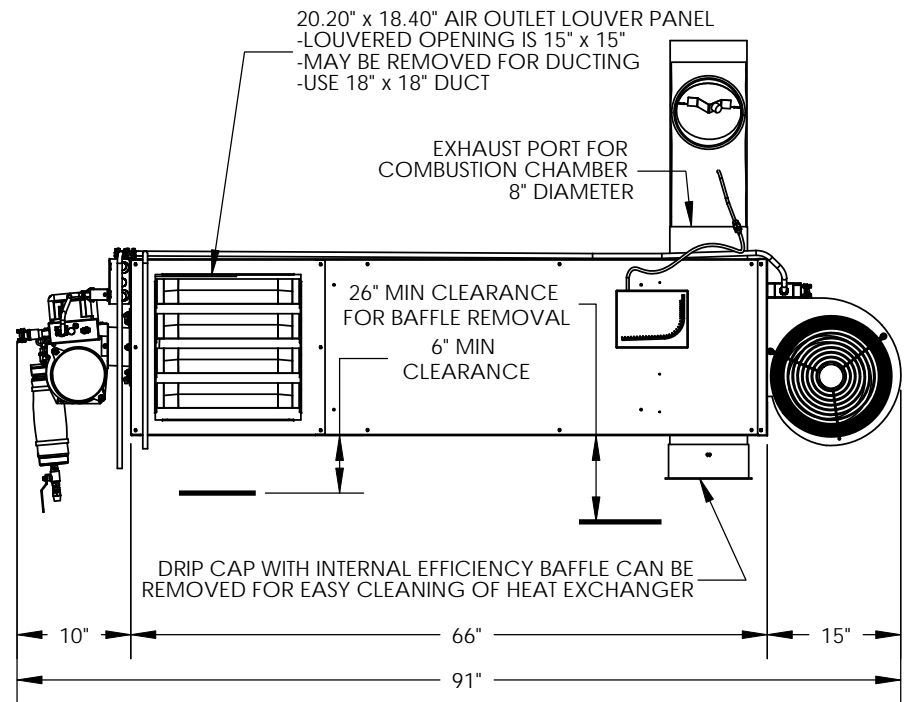
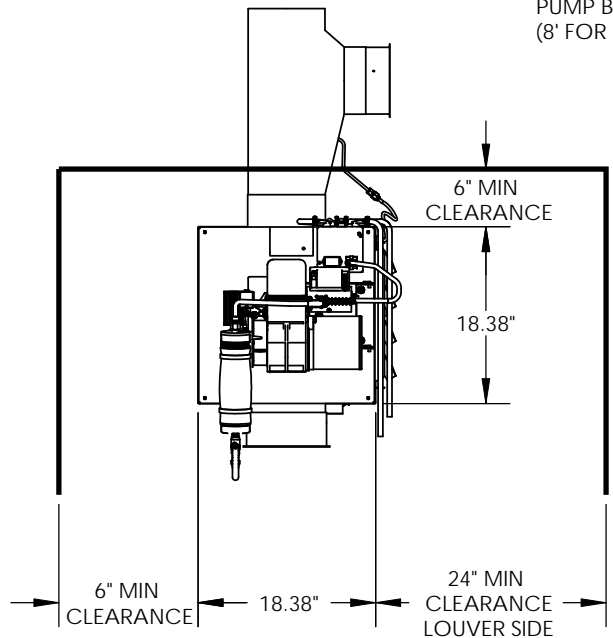


20.20" x 18.40" AIR OUTLET LOUVER PANEL
 -LOUVERED OPENING IS 15" x 15"
 -MAY BE REMOVED FOR DUCTING
 -USE 18" x 18" DUCT

EXHAUST PORT FOR COMBUSTION CHAMBER
 8" DIAMETER

26" MIN CLEARANCE FOR BAFFLE REMOVAL
 6" MIN CLEARANCE

DRIP CAP WITH INTERNAL EFFICIENCY BAFFLE CAN BE REMOVED FOR EASY CLEANING OF HEAT EXCHANGER



ITEM # 98030025