



NuEra

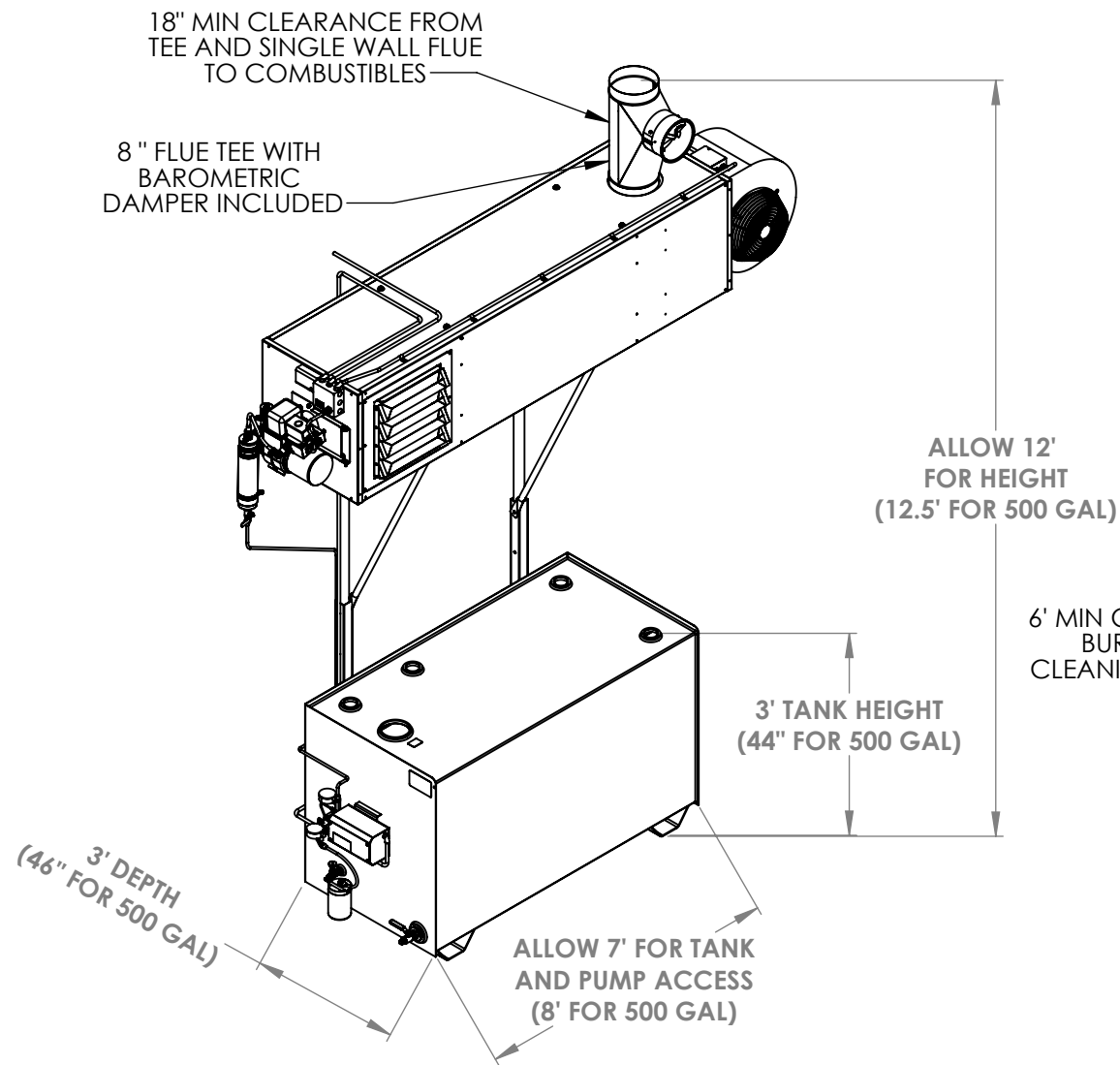
14409 NE 79th St, Vancouver, WA 98682

www.nueraheat.com

1-(800) 347-9575

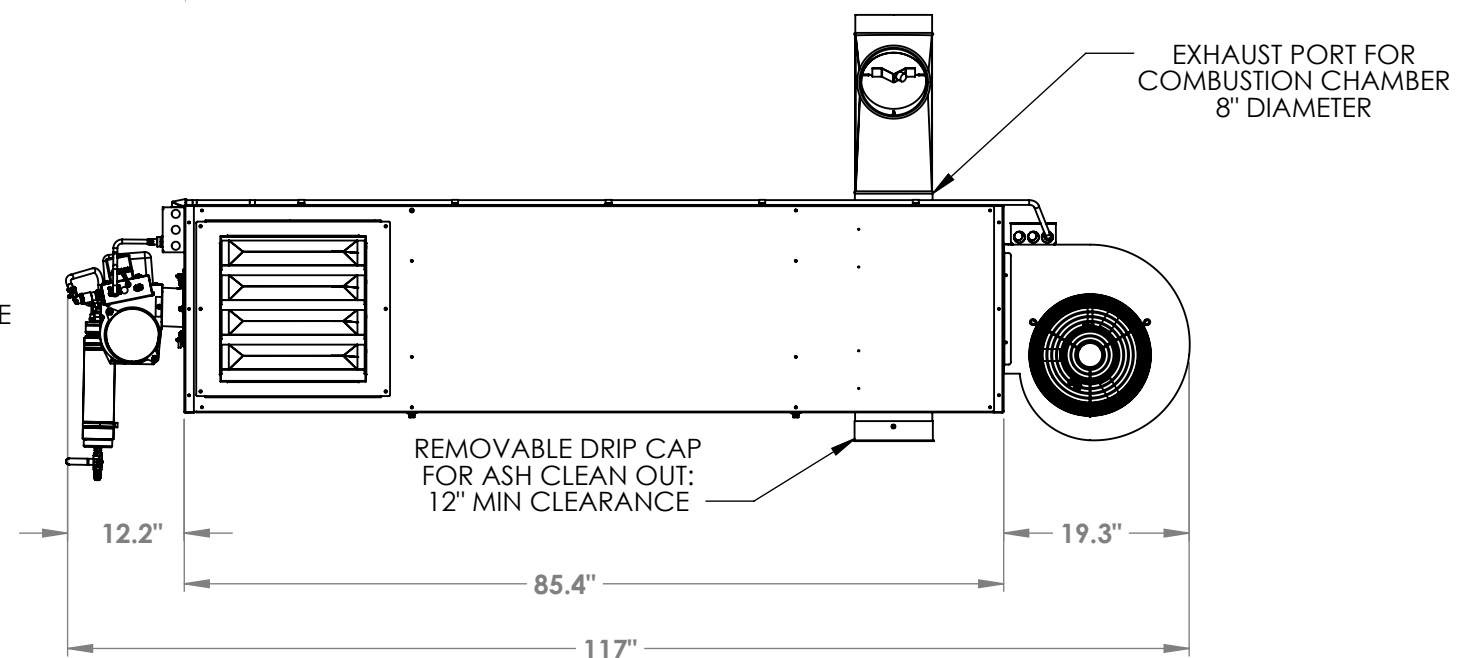
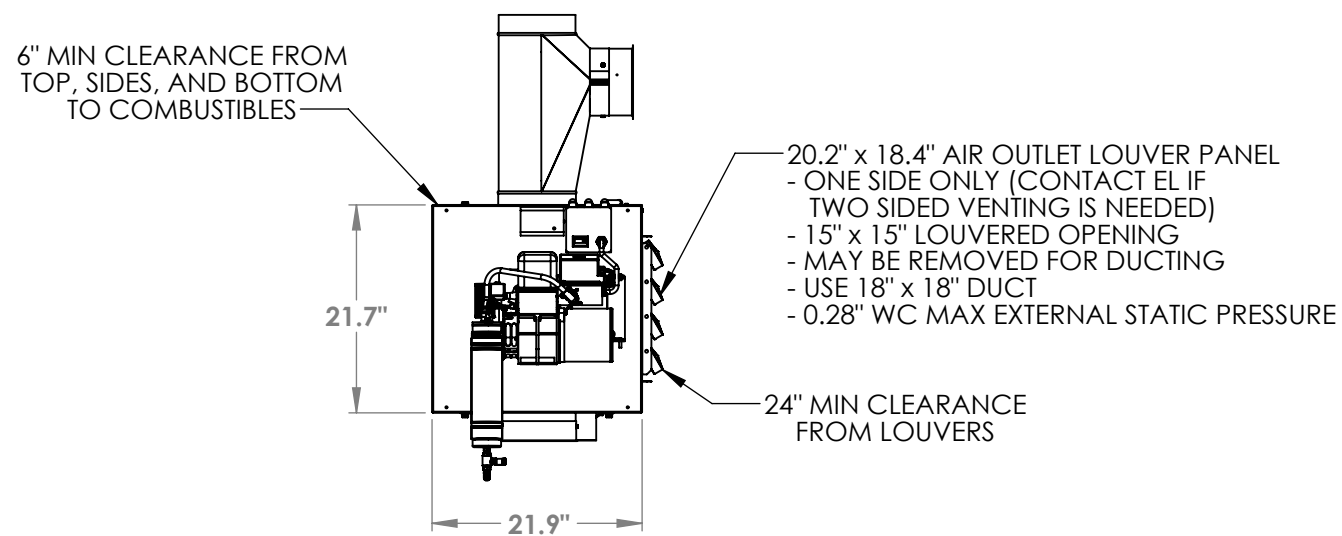
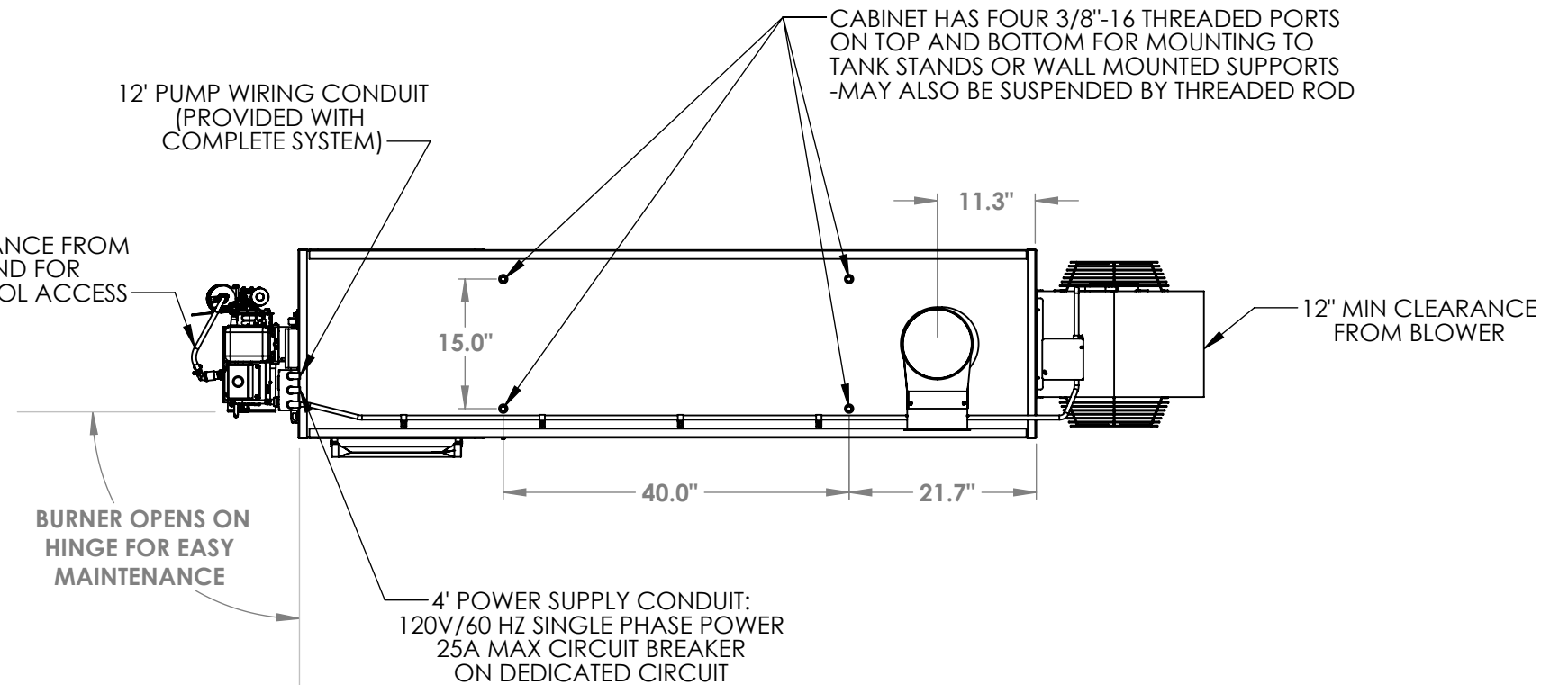
MODEL EL-350H (SHOWN WITH 250 GALLON SINGLE WALL TANK)

- CABINET WEIGHT WITH BURNER AND BLOWER: ~ 415 LBS
- TANK WEIGHT EMPTY: ~ 425 LBS (600 LBS FOR 500 GALLON SW)
- FLUE DIAMETER: 8 INCH
- FREE AIR DELIVERY: ~2600 CFM
- HEATING AREA: UP TO 9000 SQ FT WITH 16' CEILINGS



ALLOW 12'
FOR HEIGHT
(12.5' FOR 500 GAL)

6' MIN CLEARANCE FROM
BURNER END FOR
CLEANING TOOL ACCESS



ITEM # 98030074