

# MODEL EL-200B

- UL LISTED, ASME CERTIFIED BOILER
- FIRE TUBE: WATER IS HEATED BY HOT GASES FLOWING THROUGH 25 HORIZONTAL TUBES
- WET BASED: COMBUSTION CHAMBER AND TUBES COMPLETELY SURROUNDED BY WATER
- NON CONDENSING: HOT GASES NOT ALLOWED TO COOL, THEREBY REDUCING CONDENSATION
- MATERIAL: ASME CERTIFIED 1/4" CARBON STEEL
- BOILER WATER CAPACITY: 30 GAL
- WATER PRESSURE: 30 PSI MAXIMUM
- INLET WATER TEMPERATURE: 140°F MINIMUM
- OPERATING TEMPERATURE: 230°F MAXIMUM
- DOMESTIC HOT WATER COIL RATING: 4.0 GPM
- BOILER WEIGHT WITH BURNER: APPROXIMATELY 662 LBS
- WET WEIGHT: APPROXIMATELY 1000 LBS

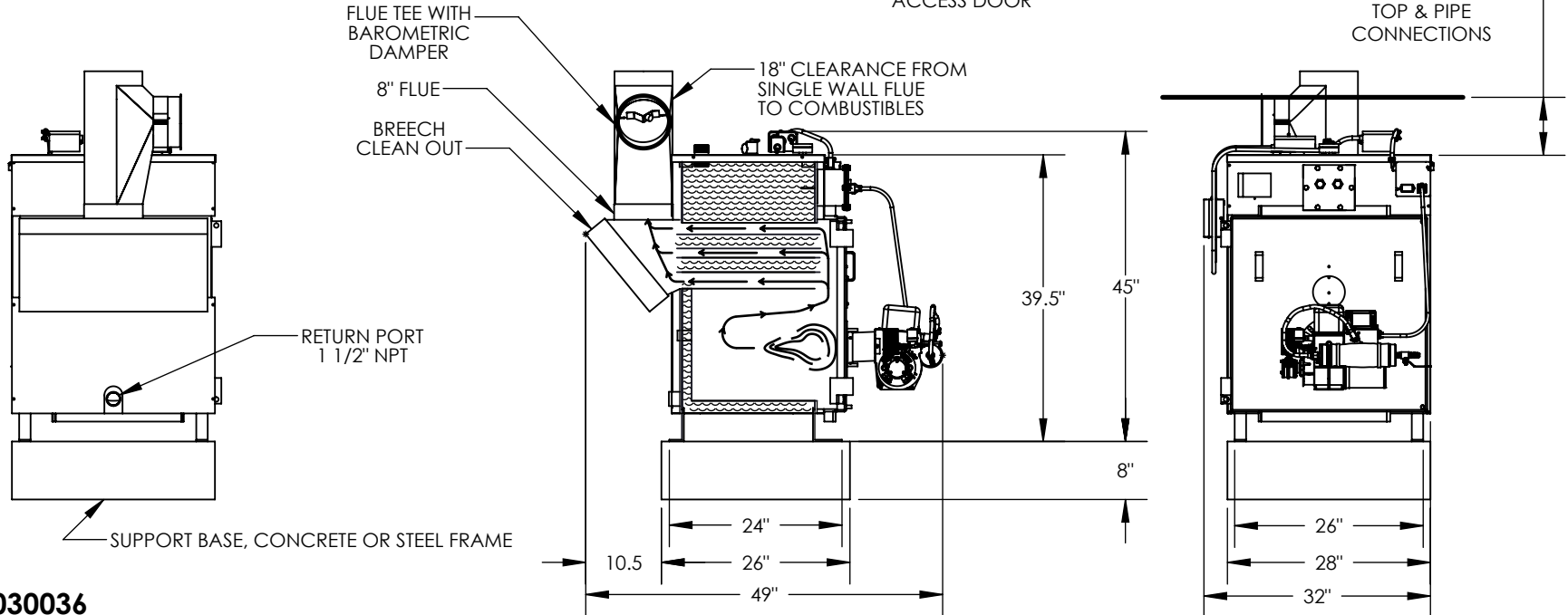
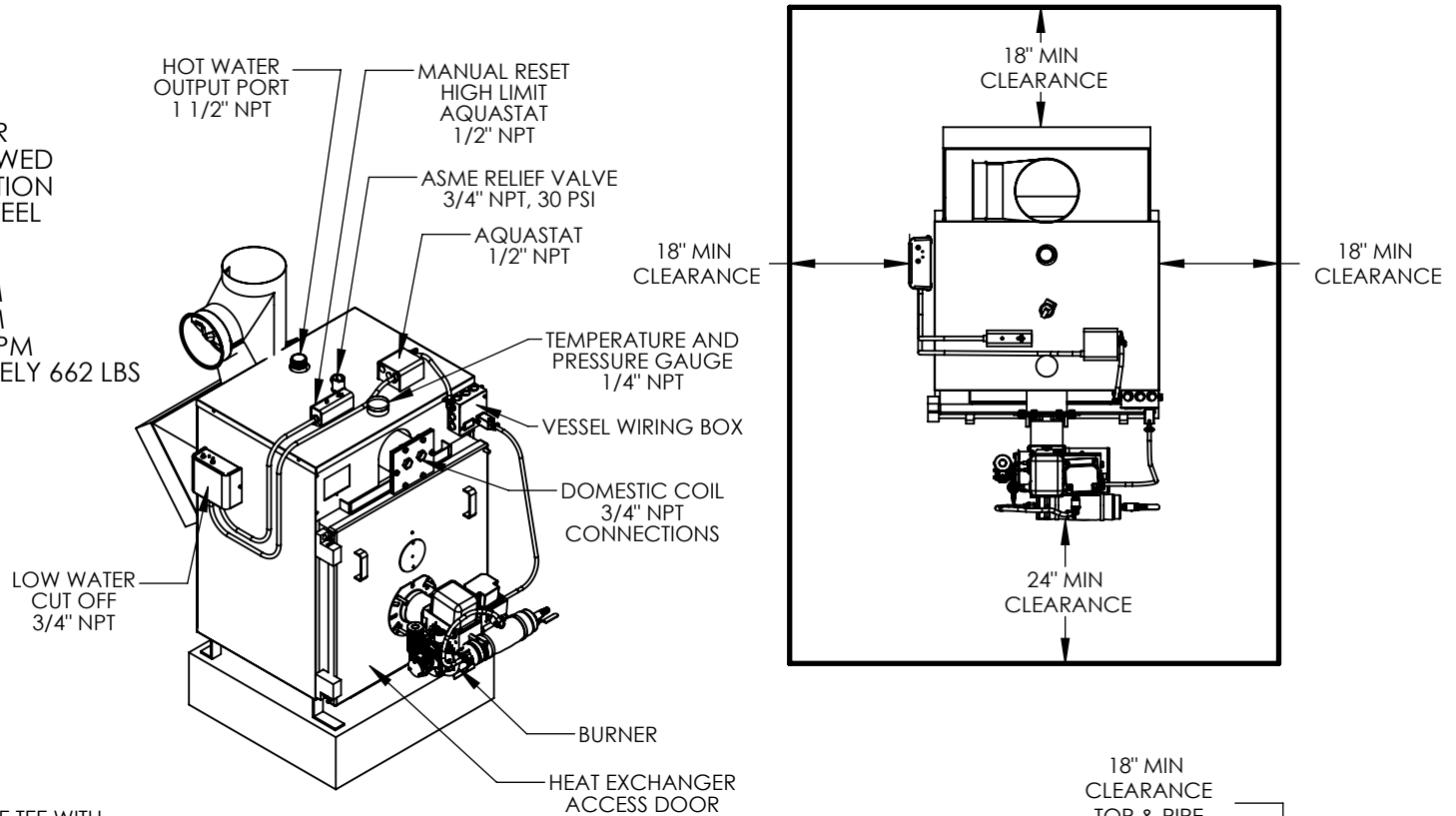


**NuEra**

14409 NE 79th St, Vancouver, WA 98682

www.nueraheat.com

1-(800) 347-9575



ITEM # 98030036